

## Specification of: RGA 31-4550-4X-3G

### Roof exhaust fans Gebhardt ergovent

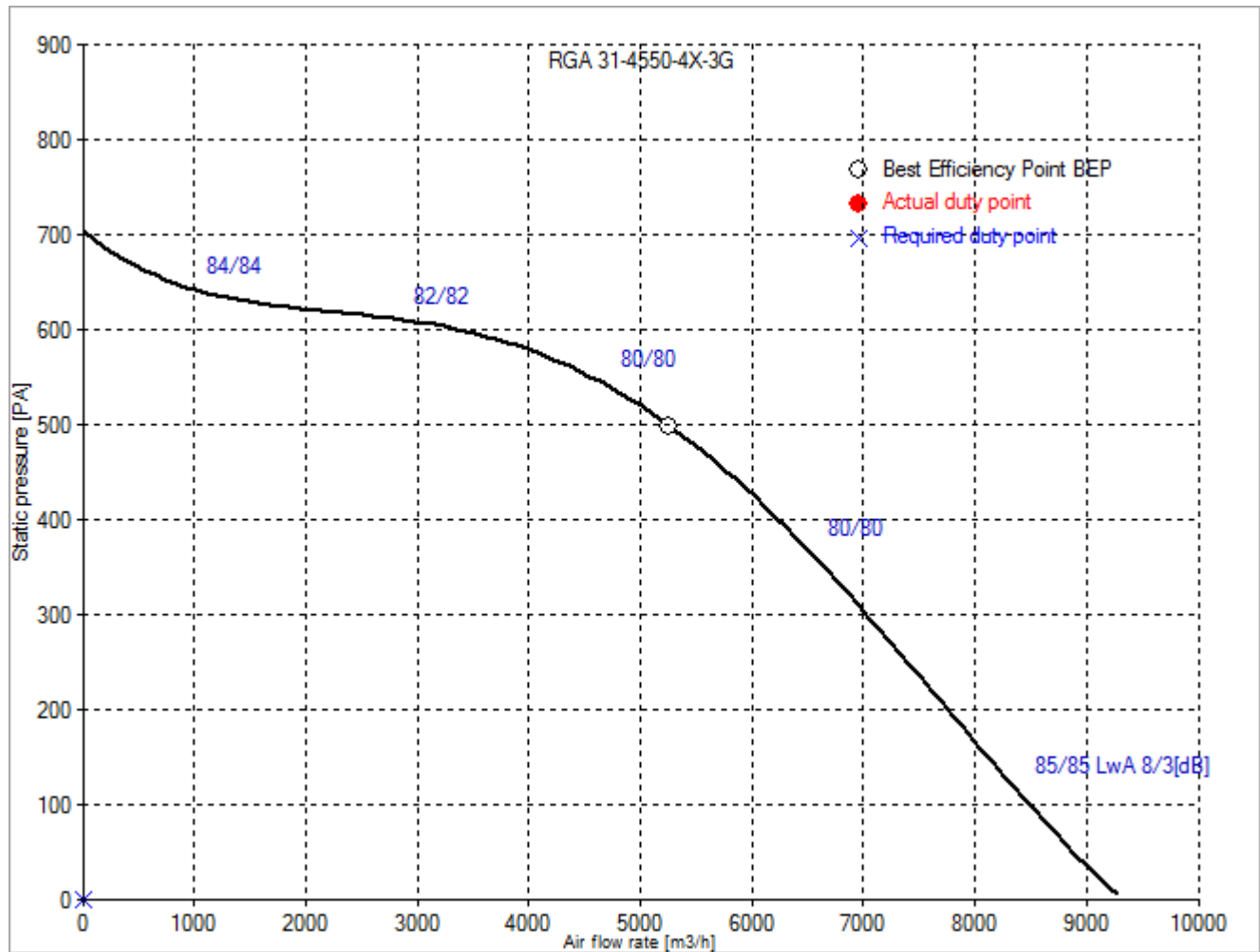
Fan in explosion protected execution acc. to EU regulations 2014/34/EU (ATEX), DIN EN 14986:2017, DIN EN ISO 80079-36 /-37:2016. Equipment marking: II 3G Ex h IIB T3 Gc. suitable for media temperatures of - 20 °C up to + 40 °C. Stylish cowl made of metal. Base frame of galvanized sheet steel for fitting to upstand, projecting well beyond the upstand in order to increase weatherproofing. Flange connection at intake acc. to DIN 24155-2 Protection grid at discharge High performance centrifugal impeller with backward curved blades fitted to the rotor of an integrated motor. Motor maintenance free, vibration isolated, and fully protected by PTC thermistors Fan speed controlled by voltage variation through transformer (Min. voltage 115 V) Performance data in according DIN 24166 tolerance class 2 (BS 848 Class "B").

### Technical data of the fan acc. to ATEX: RGA 31-4550-4X-3G

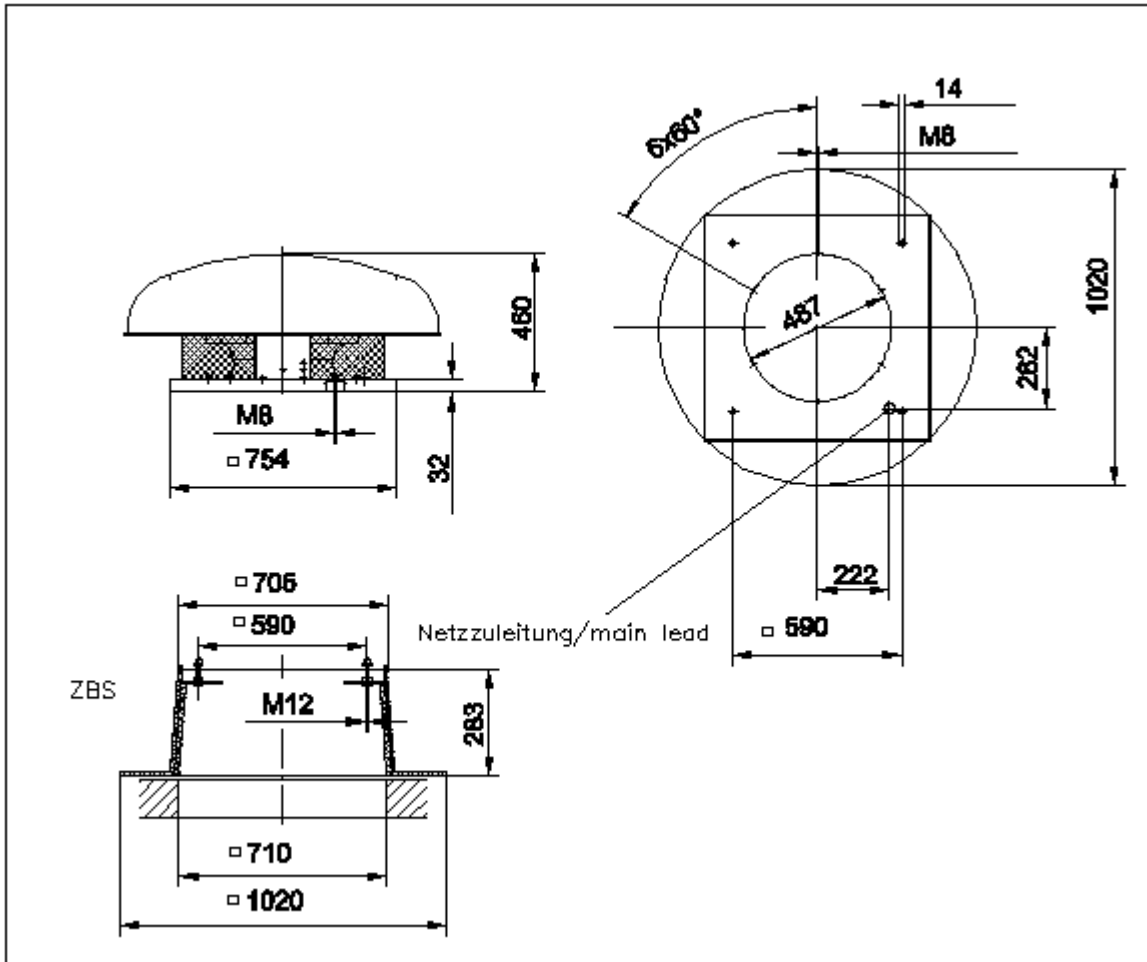
[EU regulation 1253/2014 not applicable](#)

Description	Value	Dimension
<b>Specified duty point</b>		
<b>Actual duty point</b>		
Installation acc. DIN 24163 Part 1		A
Reference density (Rho1)	1.15	kg/m <sup>3</sup>
Medium temperature (t)	20	C
Fan weight	59	kg
<b>Rated data</b>		
Phases-Voltage-Frequency	3~400 D-50	V-Hz
Number of poles:	4	
Rated motor speed (n <sub>N</sub> )	1380	min <sup>-1</sup>
Rated motor current (I <sub>N</sub> )	3,4	A
<b>operational limits</b>		
Max. absorbed power (P <sub>1max</sub> )	1.6	kW
Max. fan speed (n <sub>vmax</sub> )	1500	min <sup>-1</sup>
Max. operating frequency (f <sub>max</sub> )	50	Hz
Temperature range of conveying medium (t <sub>min</sub> ... t <sub>max</sub> )	-20...40	C

## Fan curve to RGA 31-4550-4X-3G



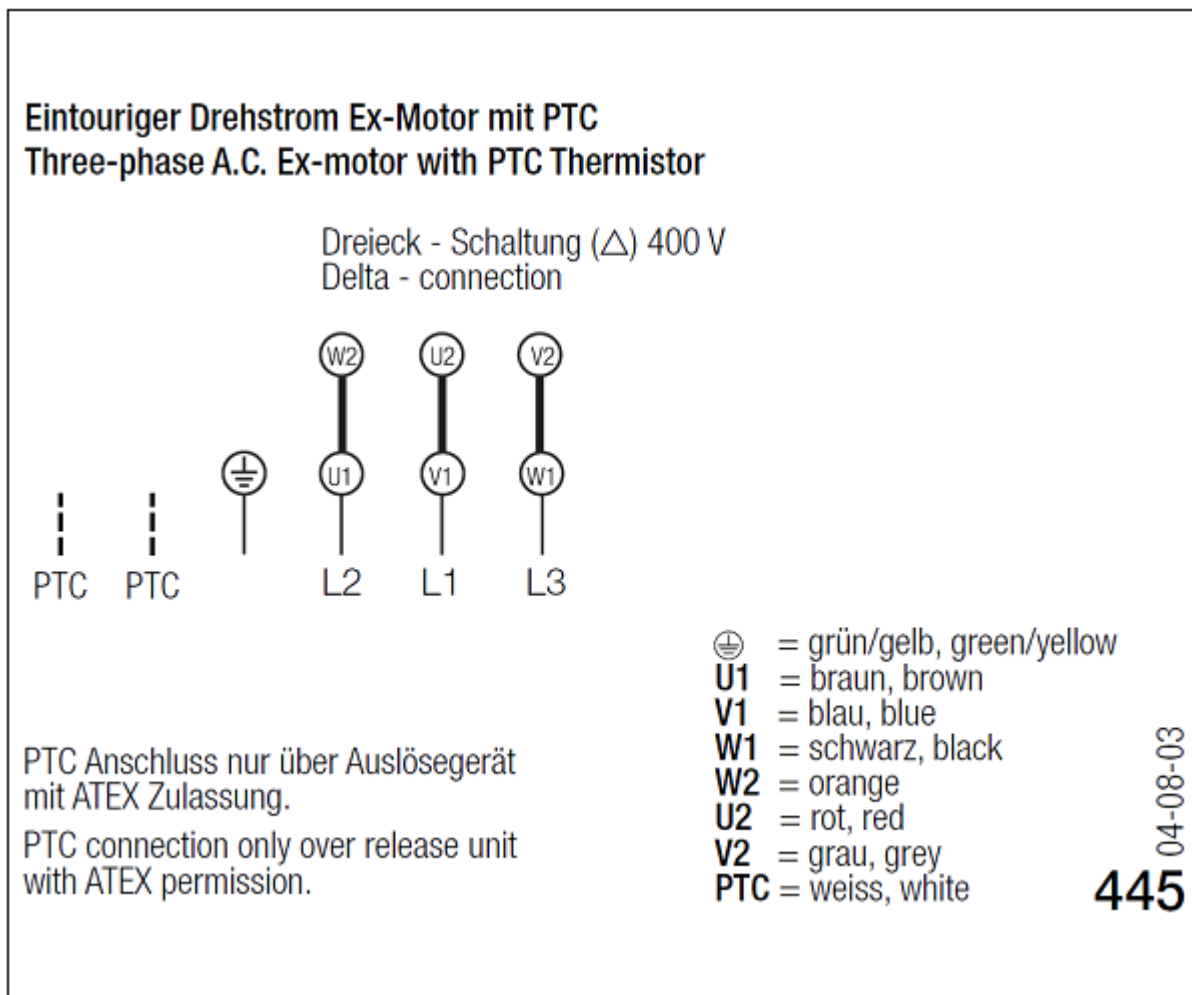
Dimensions to RGA 31-4550-4X-3G



Rotation:  
Handing:

RD  
90

## Wiring diagram of the fan RGA 31-4550-4X-3G



Wiring diagram for connection to: [mains - motor](#)  
Rotation: [RD](#)